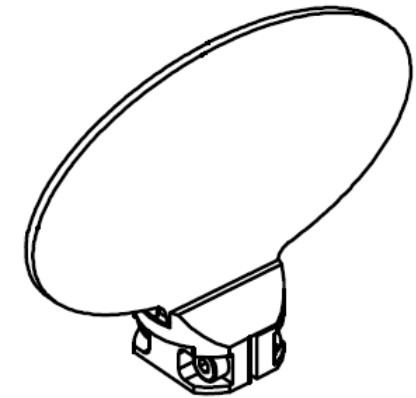
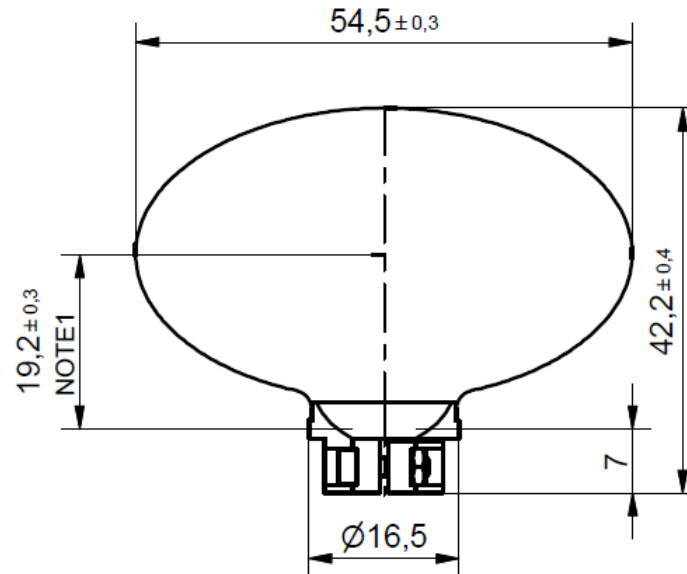


# x30G optoSiC+inclusiv glued SM-mount for 7 mm shaft

J = 13.4g\*cm<sup>2</sup>  
M = 14.8g

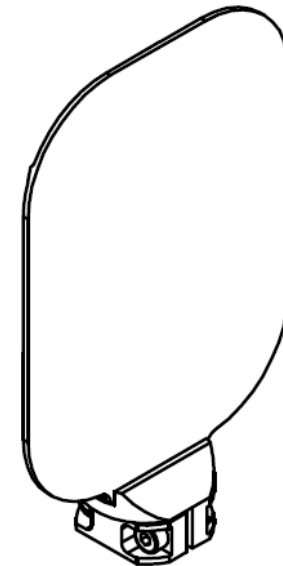
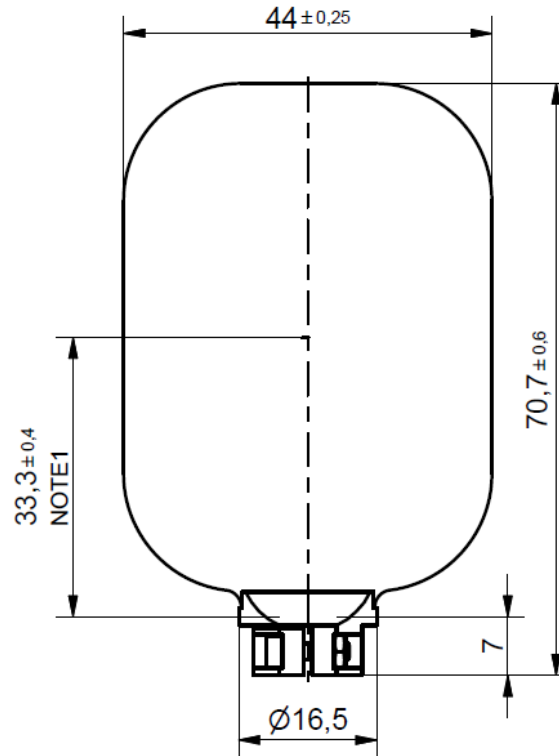
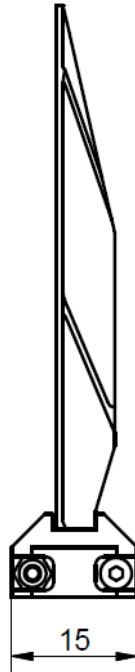


## Notes:

1. Dimension from end of the shaft to the center of the clear aperture.
2. Screw size = M2x8mm
3. Nut size = M2
3. Hex Key Size = 1,5mm
4. Recommended screw torque : 0,6Nm
5. Bore-Diameter 7H7

# y30G optoSiC+inclusiv glued SM-mount for 7 mm shaft

J = 13.4g\*cm<sup>2</sup>  
M = 20.1g



## Notes:

1. Dimension from end of the shaft to the center of the clear aperture.
2. Screw size = M2x8mm
3. Nut size = M2
3. Hex Key Size = 1,5mm
4. Recommended screw torque : 0,6Nm
5. Bore-Diameter 7H7