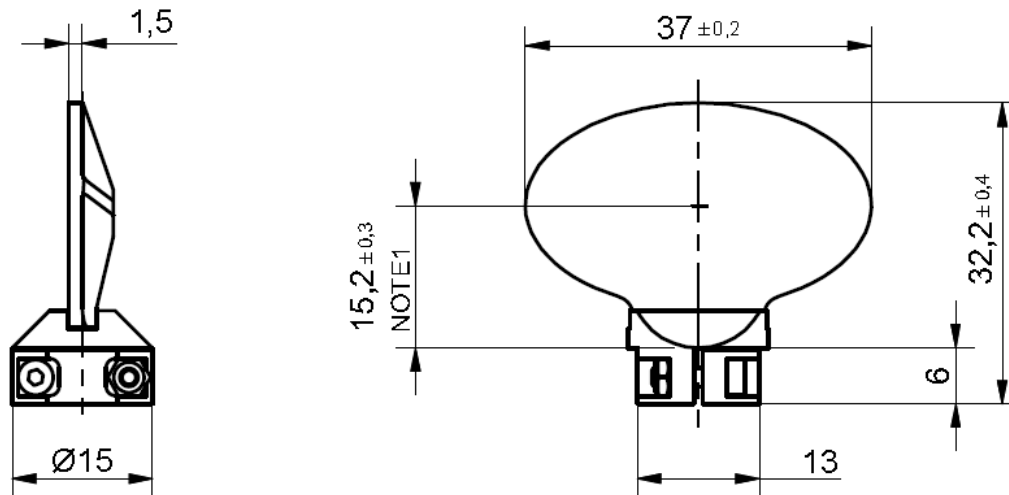


x20G optoSiC+inclusiv glued SM-mount for 6 mm shaft

$J = 4.26g \cdot cm^2$
 $M = 8.83g$

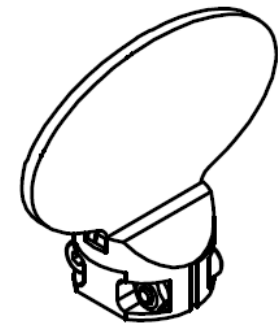


Notes:

1. Dimension from end of the shaft to the center of the clear aperture.
2. Screw size = M2x8mm
3. Nut size = M2
3. Hex Key Size = 1,5mm
4. Recommended screw torque : 0,6Nm
5. Bore-Diameter 6H7

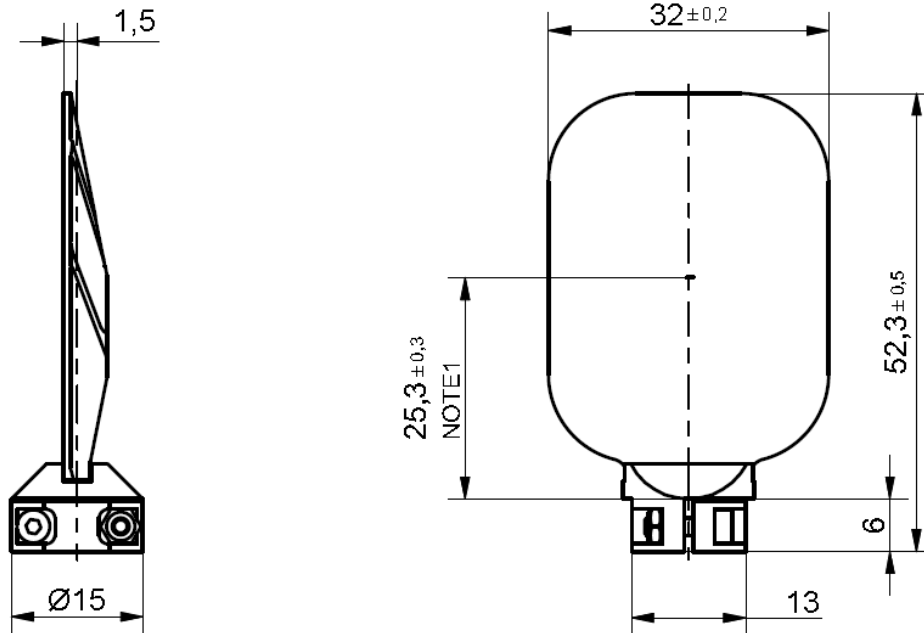
MERSEN Deutschland Holding GmbH & Co. KG; Niederlassung München,
Rupert-Mayer-Str. 44; D-81379 München; Germany Fon: +49 (0) 89 780 7239 0

www.optosic.mersen.com



y20G optoSiC+inclusiv glued SM-mount for 6 mm shaft

$J = 4.25g \cdot cm^2$
 $M = 10.6g$



Notes:

1. Dimension from end of the shaft to the center of the clear aperture.
2. Screw size = M2x8mm
3. Nut size = M2
3. Hex Key Size = 1,5mm
4. Recommended screw torque : 0,6Nm
5. Bore-Diameter 6H7

MERSEN Deutschland Holding GmbH & Co. KG; Niederlassung München,
Rupert-Mayer-Str. 44; D-81379 München; Germany Fon: +49 (0) 89 780 7239 0

www.optosic.mersen.com

