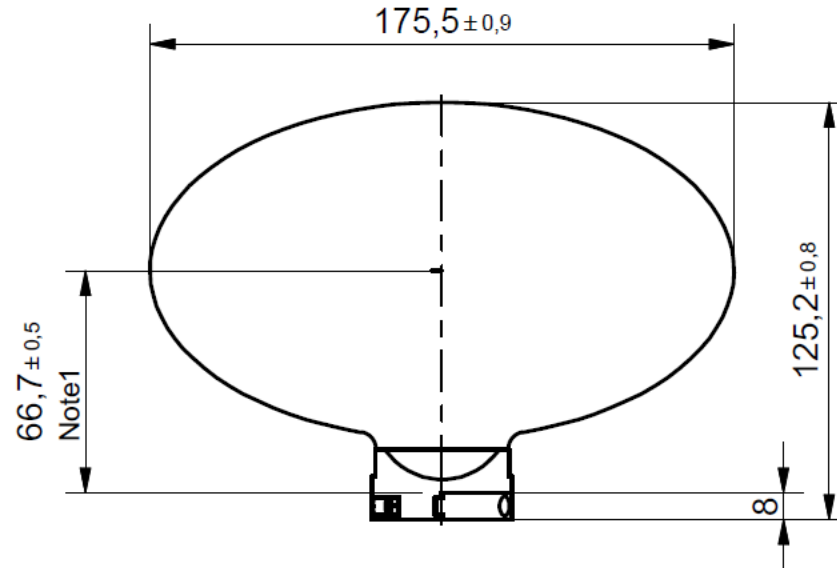


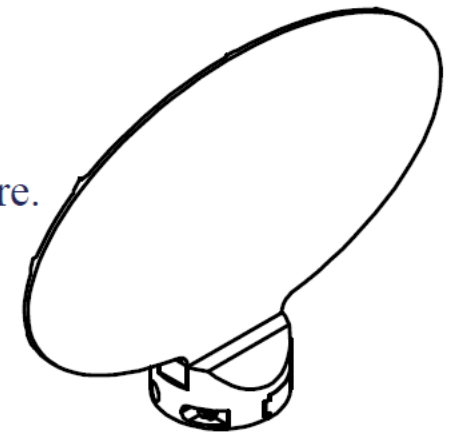
# x100G optoSiC+inclusiv glued SM-mount for 12 mm shaft

J = 2132g\*cm<sup>2</sup>  
M = 279g



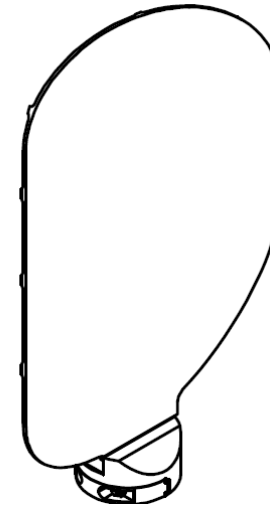
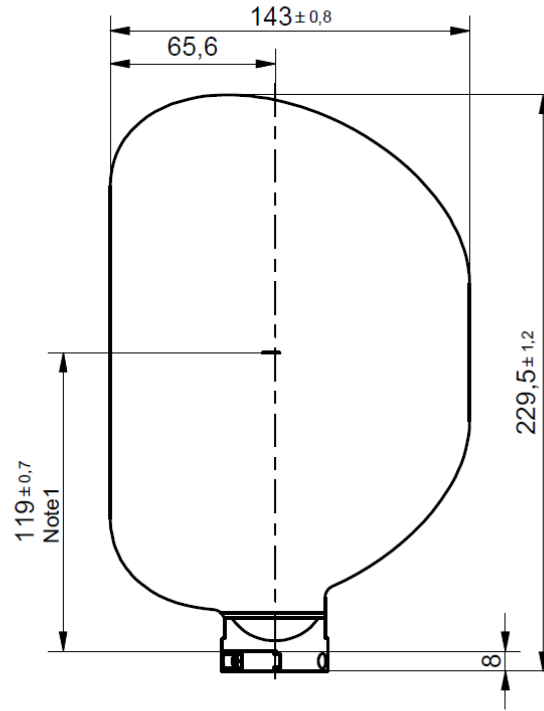
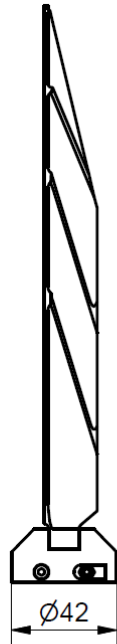
## Notes:

1. Dimension from end of the galvo shaft to the center of the clear aperture.
2. Screw size = M3x30mm
3. Nut size = M3
3. Hex Key Size = 2,5mm
4. Recommended screw torque : 1,8Nm
5. Bore-Diameter 12H7



# y100G optoSiC+inclusiv glued SM-mount for 12 mm shaft

J = 3046g\*cm<sup>2</sup>  
M = 558g



## Notes:

1. Dimension from end of the galvo shaft to the center of the clear aperture.
2. Screw size = M3x30mm
3. Nut size = M3
3. Hex Key Size = 2,5mm
4. Recommended screw torque : 1,8Nm
5. Bore-Diameter 12H7