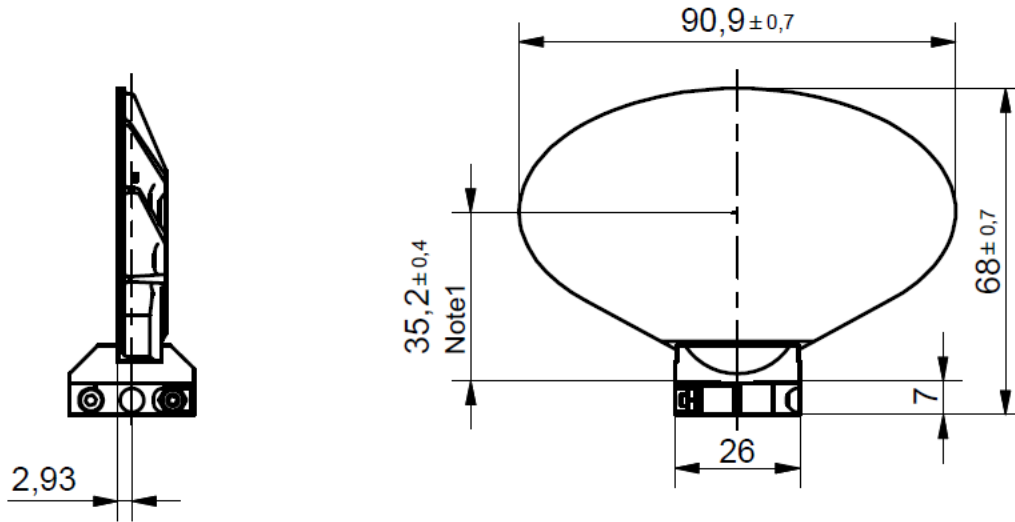


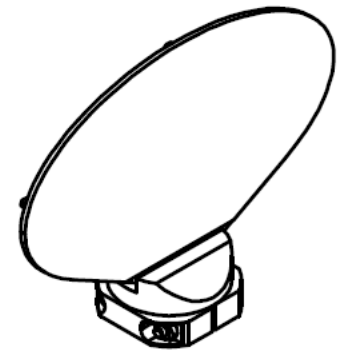
x50G optoSiC+inclusiv glued SM-mount for 7 mm shaft-diameter and 7 mm depth

J = 122g*cm²
M = 51.3g



Notes:

1. Dimension from end of the galvo shaft to the center of the clear aperture.
2. Screw size = M2,5x20mm
3. Nut size = M2,5
3. Hex Key Size = 2mm
4. Recommended screw torque : 1,2Nm
5. Bore-Diameter 7H7



y50G optoSiC+inclusiv glued SM-mount for 7 mm shaft-diameter and 7 mm depth

$J = 179g \cdot cm^2$
 $M = 84.0g$

Notes:

1. Dimension from end of the galvo shaft to the center of the clear aperture.
2. Screw size = M2,5x20mm
3. Nut size = M2,5
3. Hex Key Size = 2mm
4. Recommended screw torque : 1,2Nm
5. Bore-Diameter 7H7

