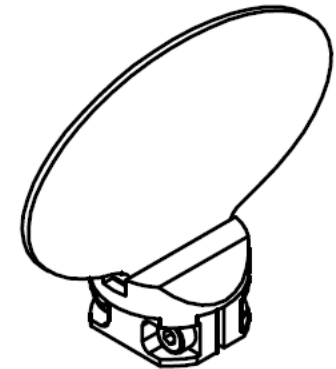
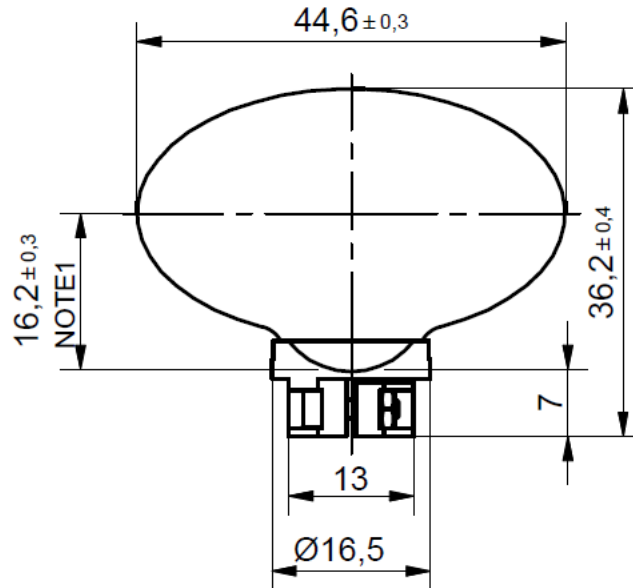
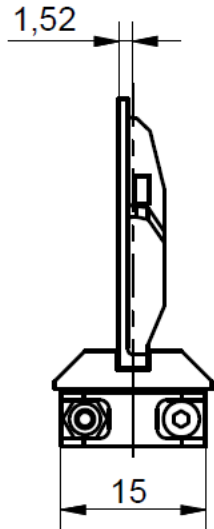


x25GTI optoSiC+inclusiv glued SM-mount for 7 mm shaft

$J = 5.57g \cdot cm^2$
 $M = 9.49g$

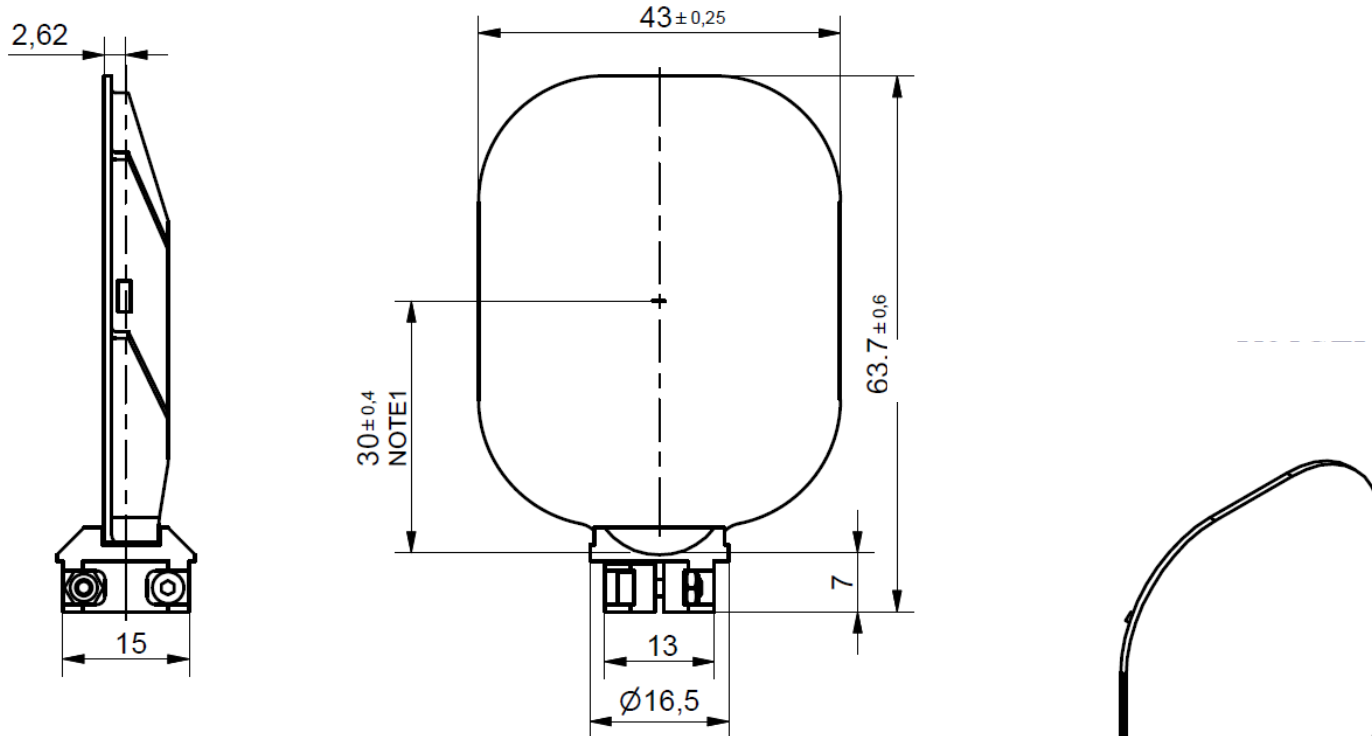


Notes:

1. Dimension from end of the shaft to the center of the clear aperture.
2. Screw size = M2x8mm
3. Nut size = M2
3. Hex Key Size = 1,5mm
4. Recommended screw torque : 0,6Nm
5. Bore-Diameter 7H7

y25GTI optoSiC+inclusiv glued SM-mount for 7 mm shaft

J = 13.3g*cm²
M = 19.2g



Notes:

1. Dimension from end of the shaft to the center of the clear aperture.
2. Screw size = M2x8mm
3. Nut size = M2
3. Hex Key Size = 1,5mm
4. Recommended screw torque : 0,6Nm
5. Bore-Diameter 7H7